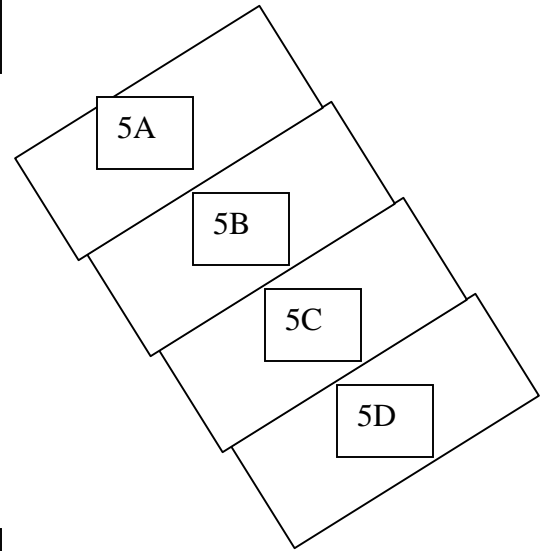
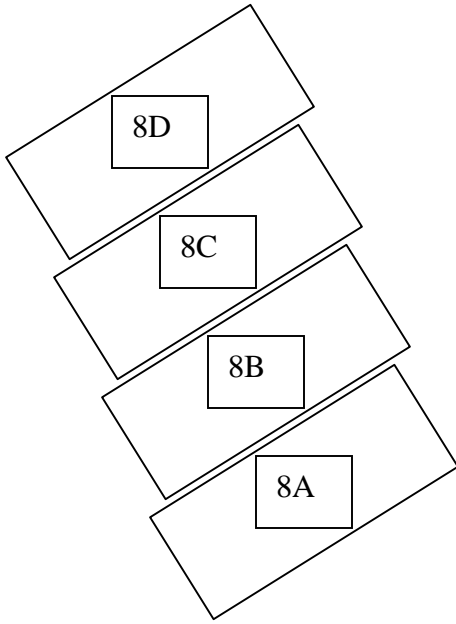


6A	6B	6C	6D	6E	6F



7D	7C	7B	7A

	Hill Area	Hill Area	Hill Area	
--	-----------	-----------	-----------	--

2E
2D
2C
2B
2A

Bedrooms will be numbered 1-8. rooms 1-4 will be on the first residential floor and bedrooms 5-8 will be on the second residential floor.

1A
1B
1C
1D
1E (RD)

3B	3A
----	----

4B	4A
----	----