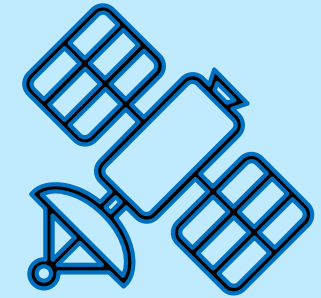


Tesla

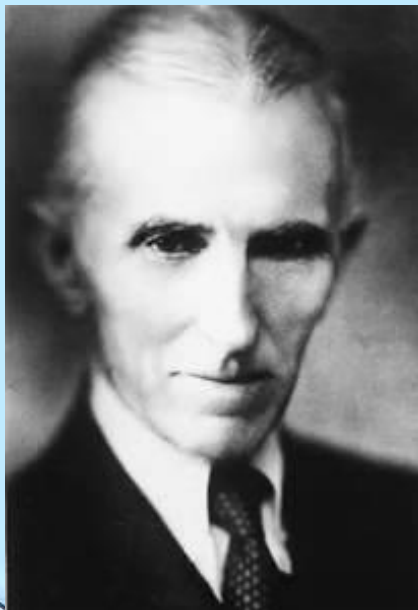


The Forgotten Genius

Part 3

Later Life and Legacy

Please mute Zoom audio & video



Ange Rapa
January 18, 2022



Review...

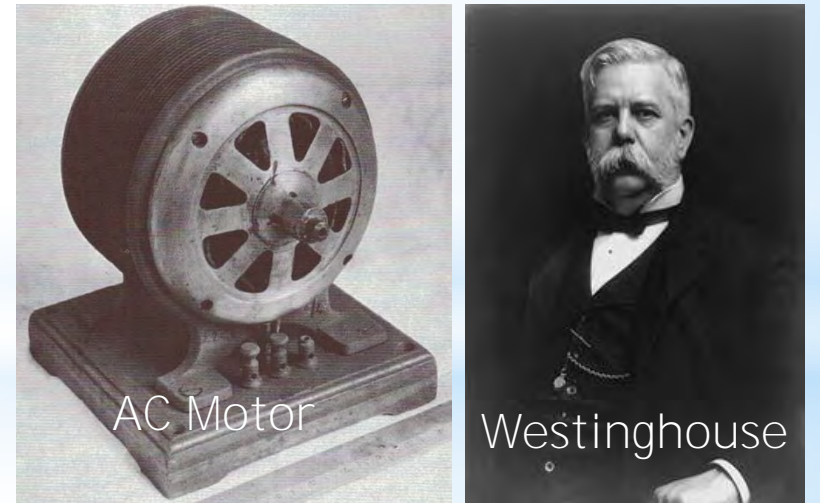
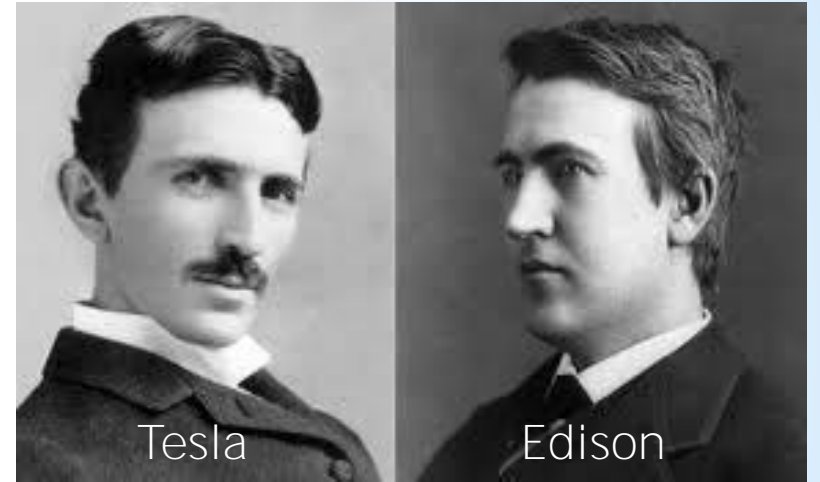
1884 - Tesla in NYC to work for Edison.

1887 - Builds AC motor; files major AC patents.

1888 - **Westinghouse acquires Tesla's AC patents.**
AC vs DC war begins.

1891 - Tesla Coil Patented
High-freq. experiments begin

1892 - General Electric Co. formed; Westinghouse
wins Chicago Expo contract



Review...

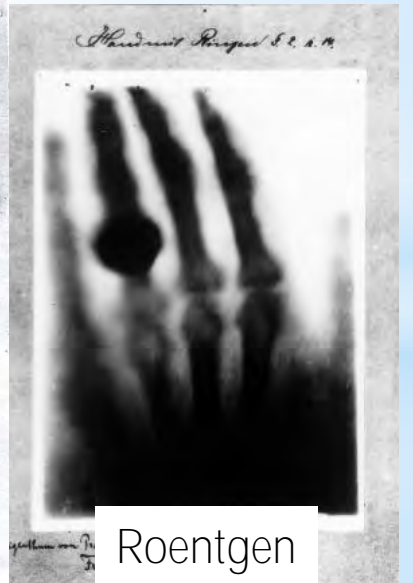
1893 -

- Chicago Expo opens; advantages of AC demonstrated
- Westinghouse awarded contract to generate AC power from Niagara Falls

1892-94 - Tesla creates first X-ray photos.

1895 -

- Marconi transmits >1 mile
- Tesla detects signals over 5 miles
- **Tesla's lab destroyed by fire**
- Roentgen announces X-Ray



Review...

1896 - Niagara hydro power goes online

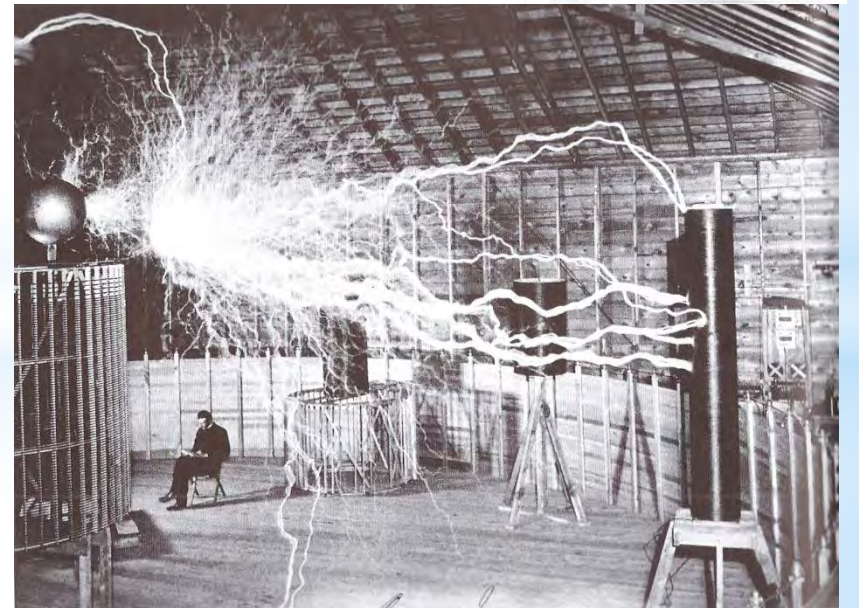
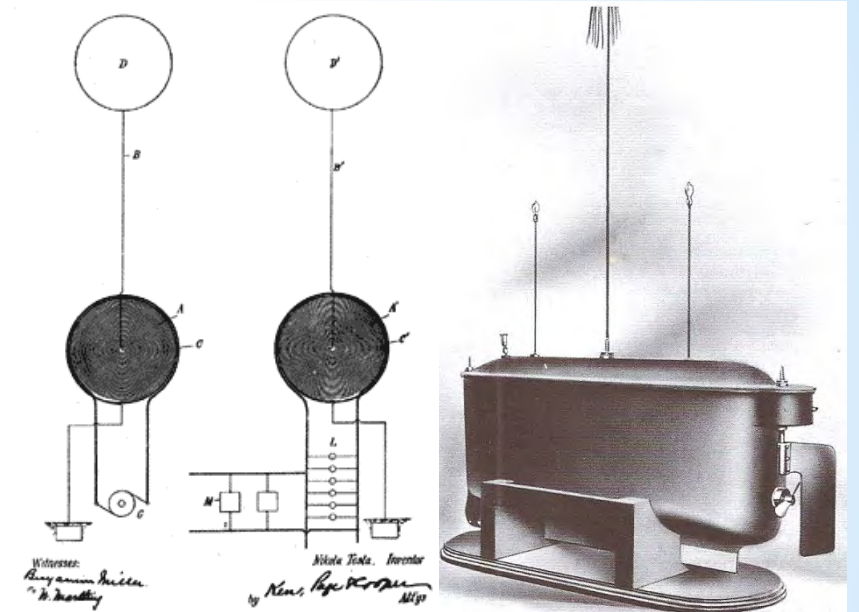
1897

- Tesla files radio patent
- Tesla detects signals at 30 miles
- Marconi transmits 3.7 miles

1898 - Tesla demos remote control boat

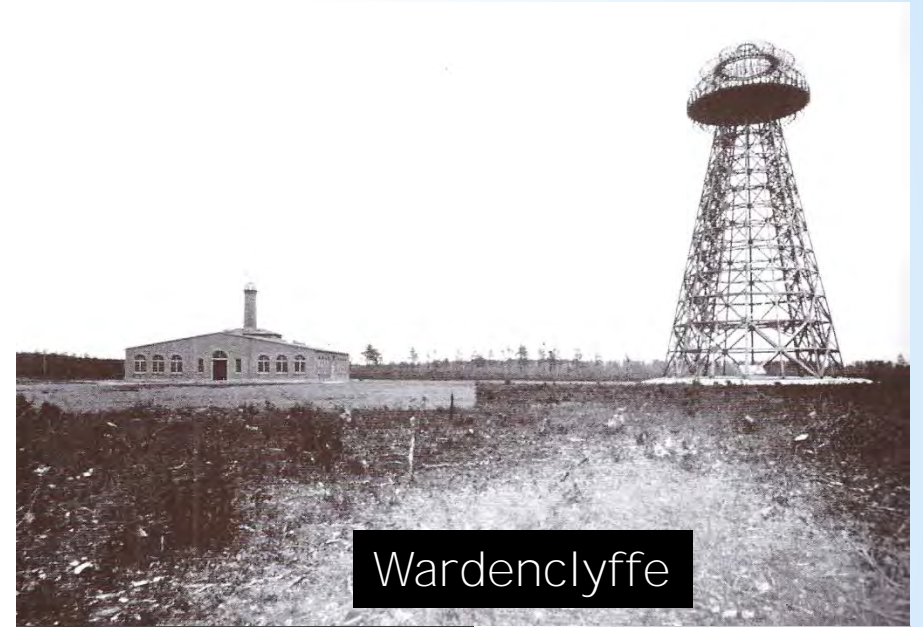
1899 - Colorado Springs H-F research

1900 - Niagara power reaches NYC



Review...

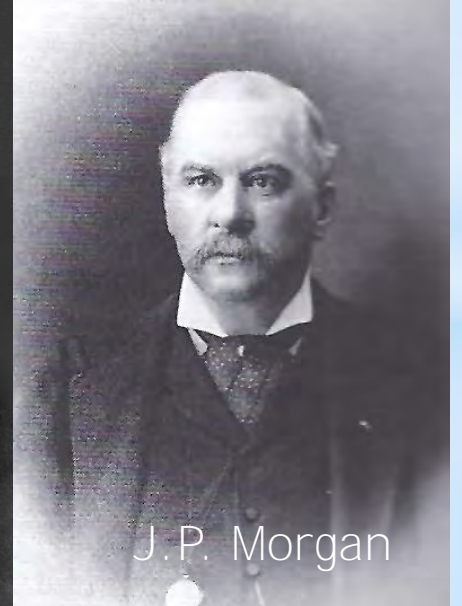
- 1900- Wardencllyffe Tower wireless project begins
- Dec. 1901 - **Marconi transmits letter “s”** across Atlantic
- 1903 - Wardencllyffe power transmission experiments fail
- 1905 - J. P. Morgan stops funding Tesla



Wardencllyffe



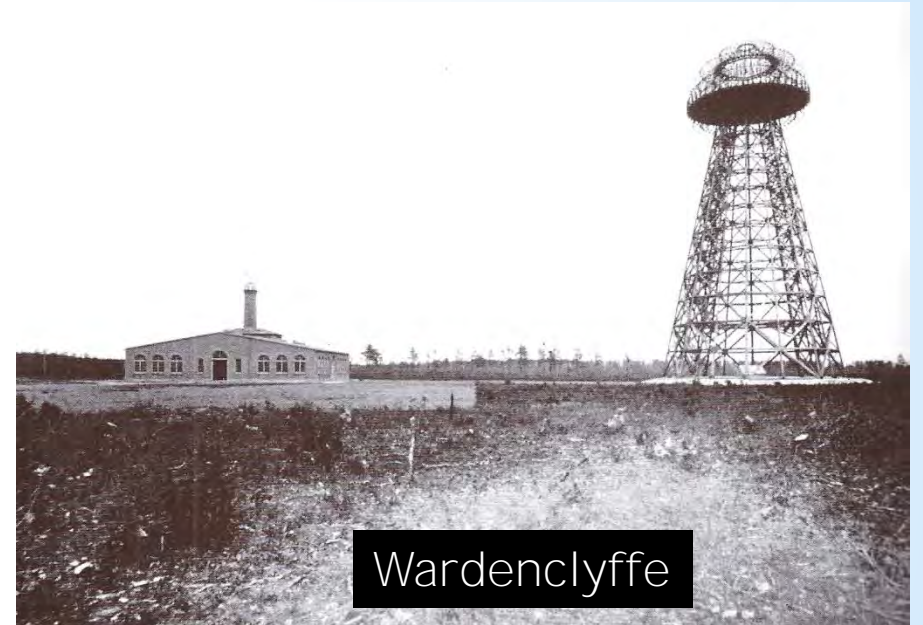
Marconi



J.P. Morgan

Today ...

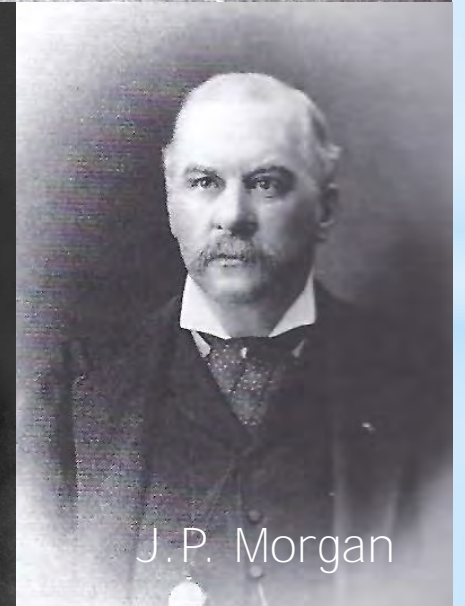
- Aftermath of Wardenclyffe
- Patent and recognition battles
- **Tesla's predictions**
- Other inventions and discoveries
- **Tesla's work in use today**
- Controversy after death



Wardenclyffe



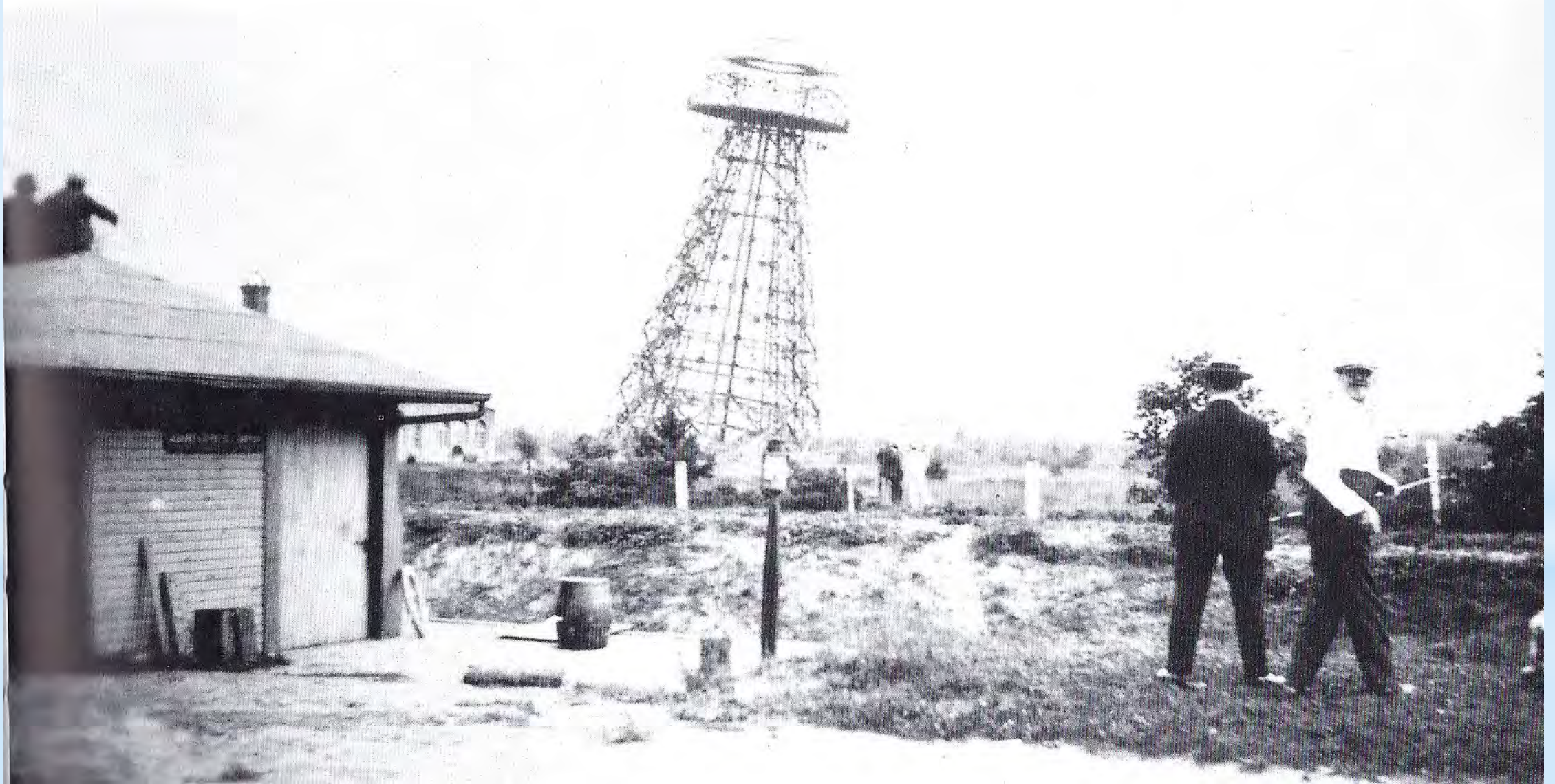
Marconi



J.P. Morgan

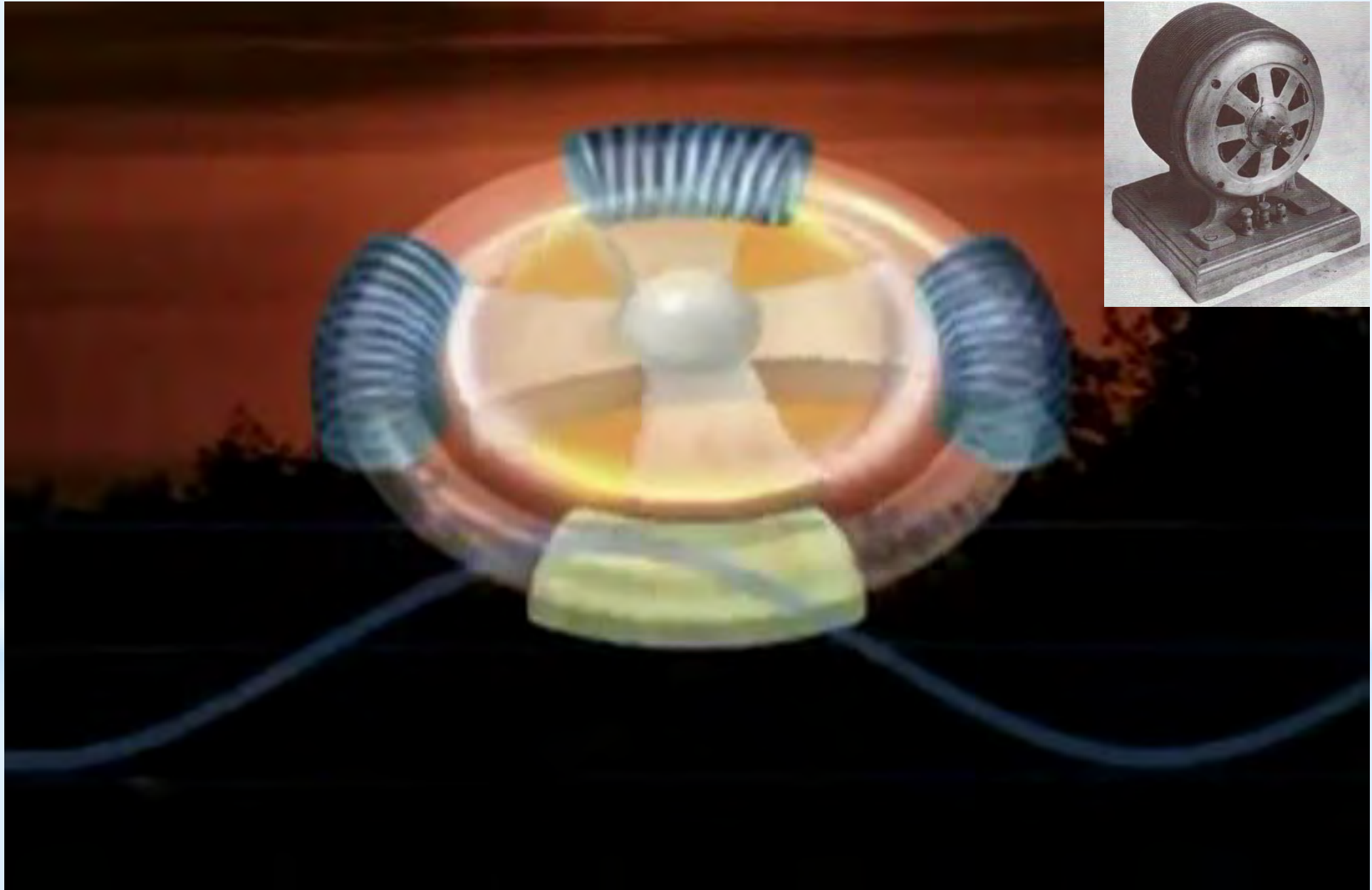
Modern Prometheus

Demolition of Wardenclyffe Tower - 1917

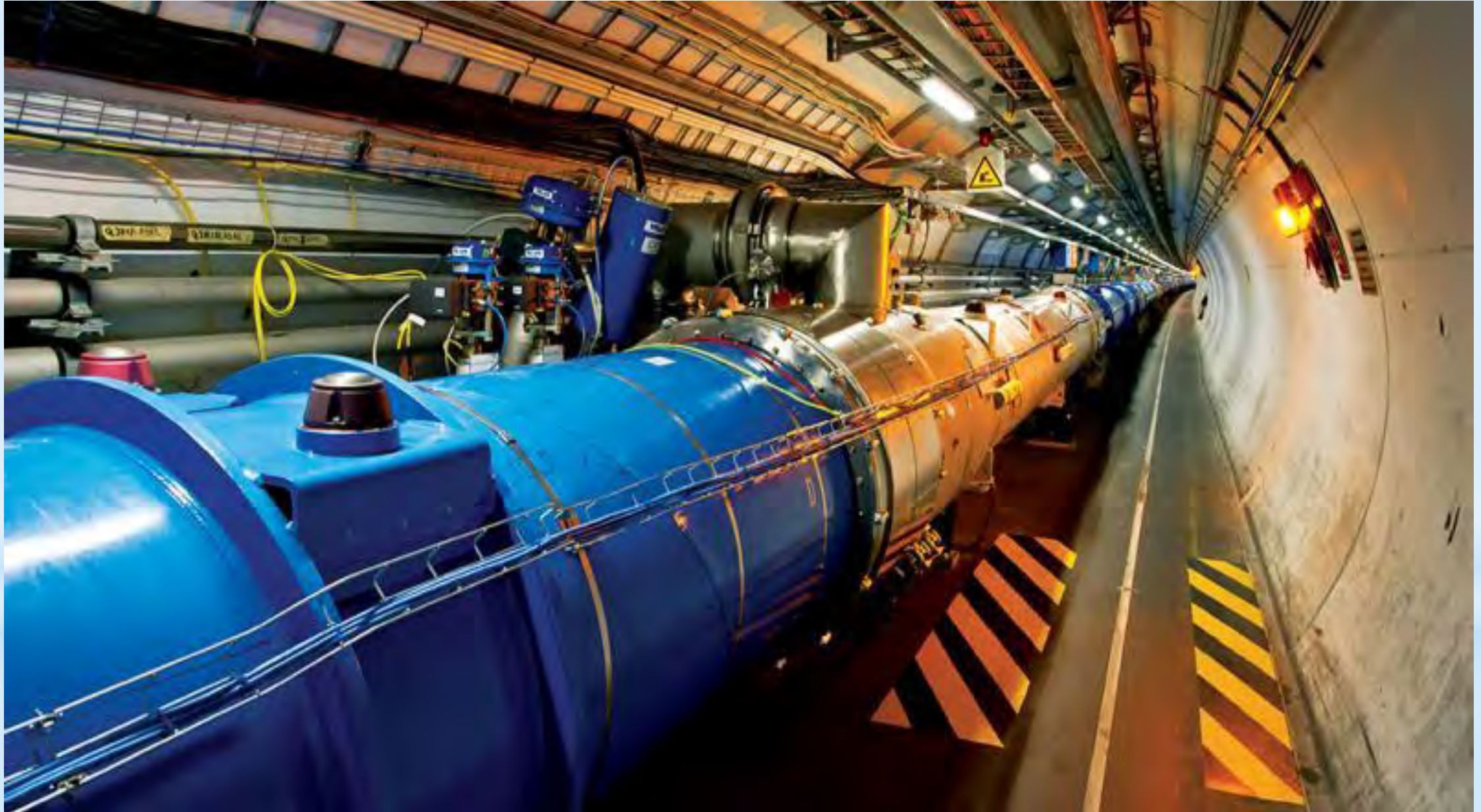


Key Discovery ...

Rotating Magnetic Field

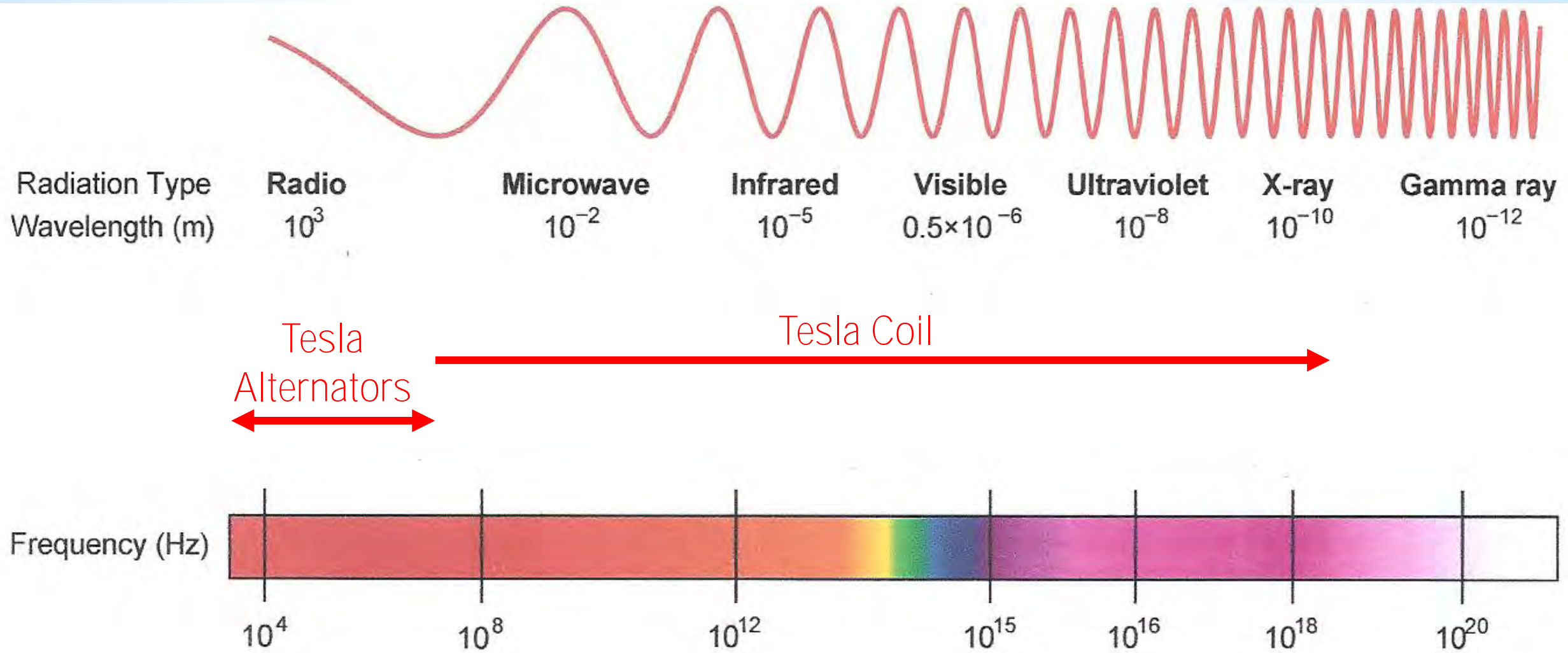


Large Hadron Collider (CERN)



Key Discovery ...

Discrete Frequency Tuning



Non-ionising

Ionising



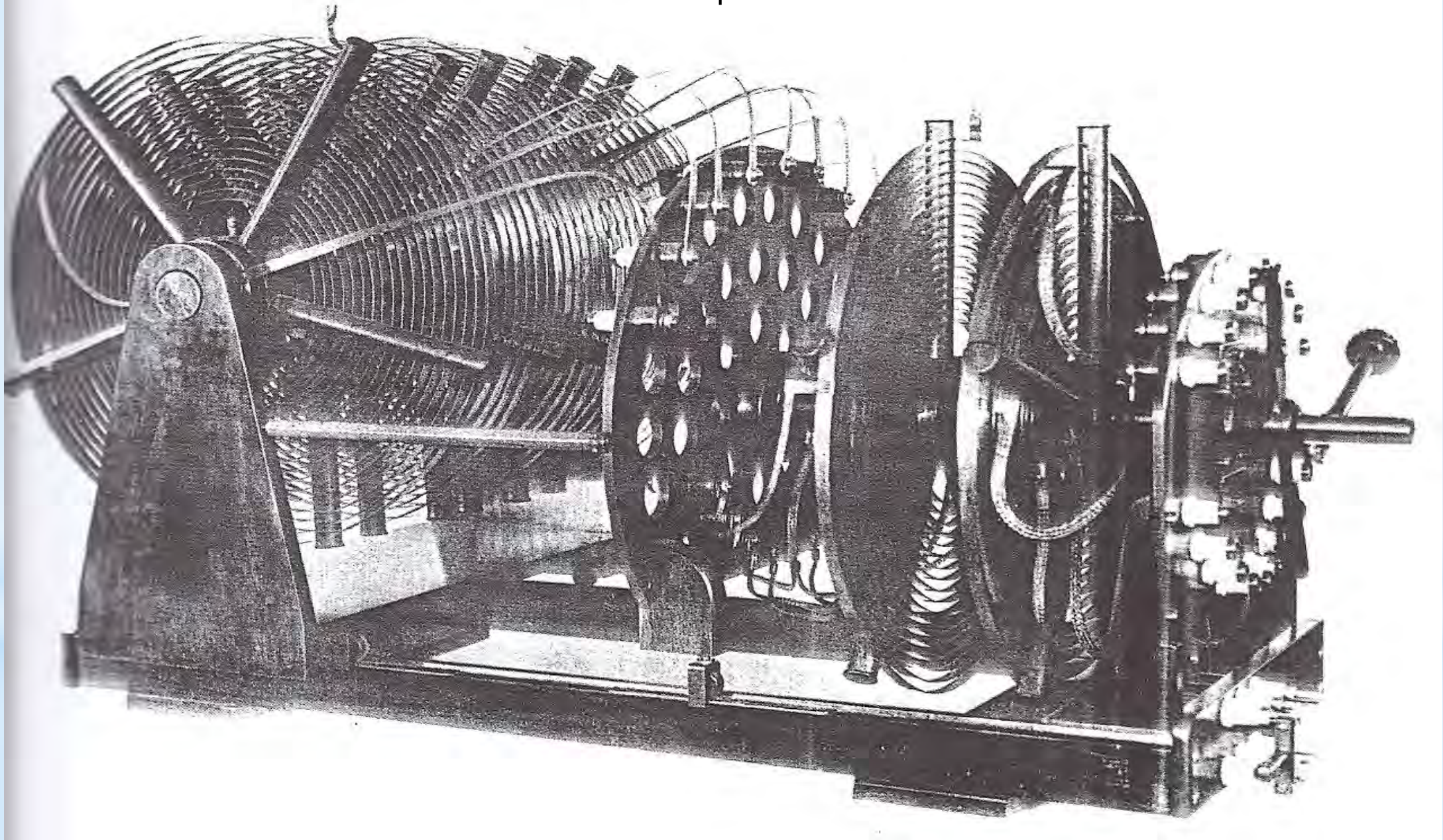
Non-thermal		Thermal		Optical	Broken Bonds	
Induces Low Currents		Induces High Currents		Excites Electrons	Damages DNA	
???		Heating		Photo Chemical Effects		
Static Field	Power Line	AM Radio	FM Radio	Wifi	Tanning Booth	Medical X-ray

Key Discovery ...

The Power of Resonance

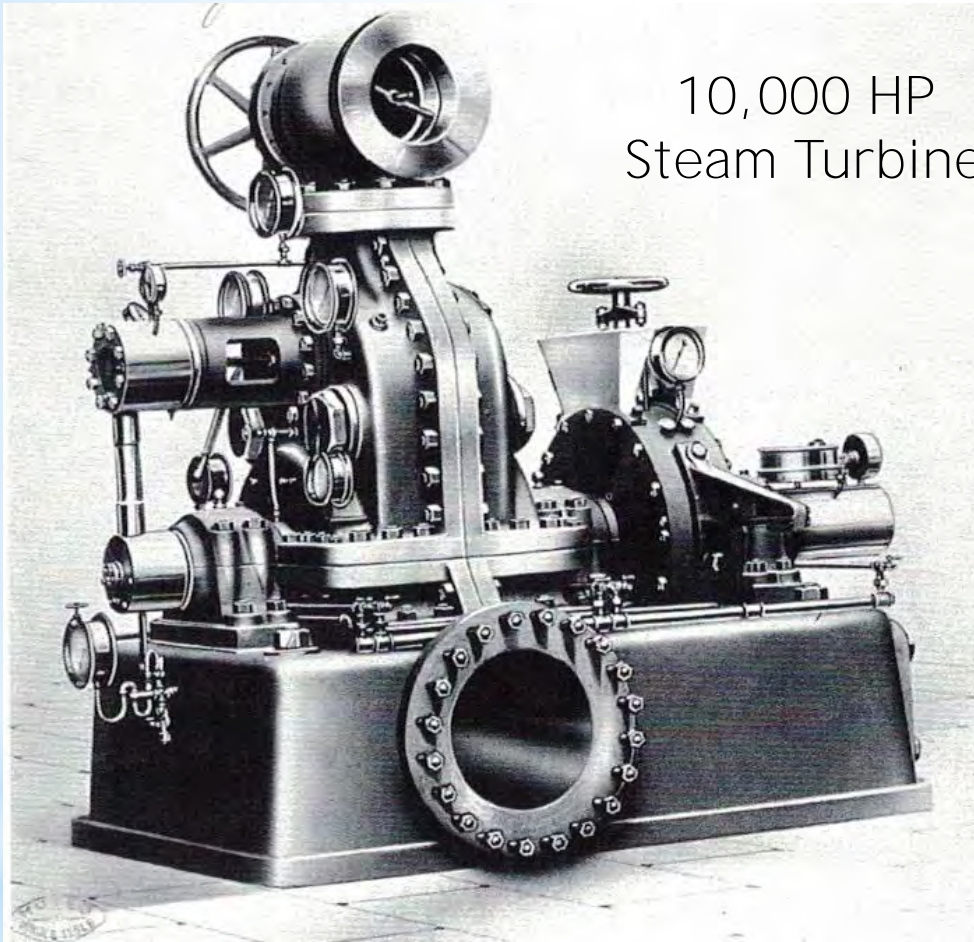


Tesla 5kw Shipboard Transmitter



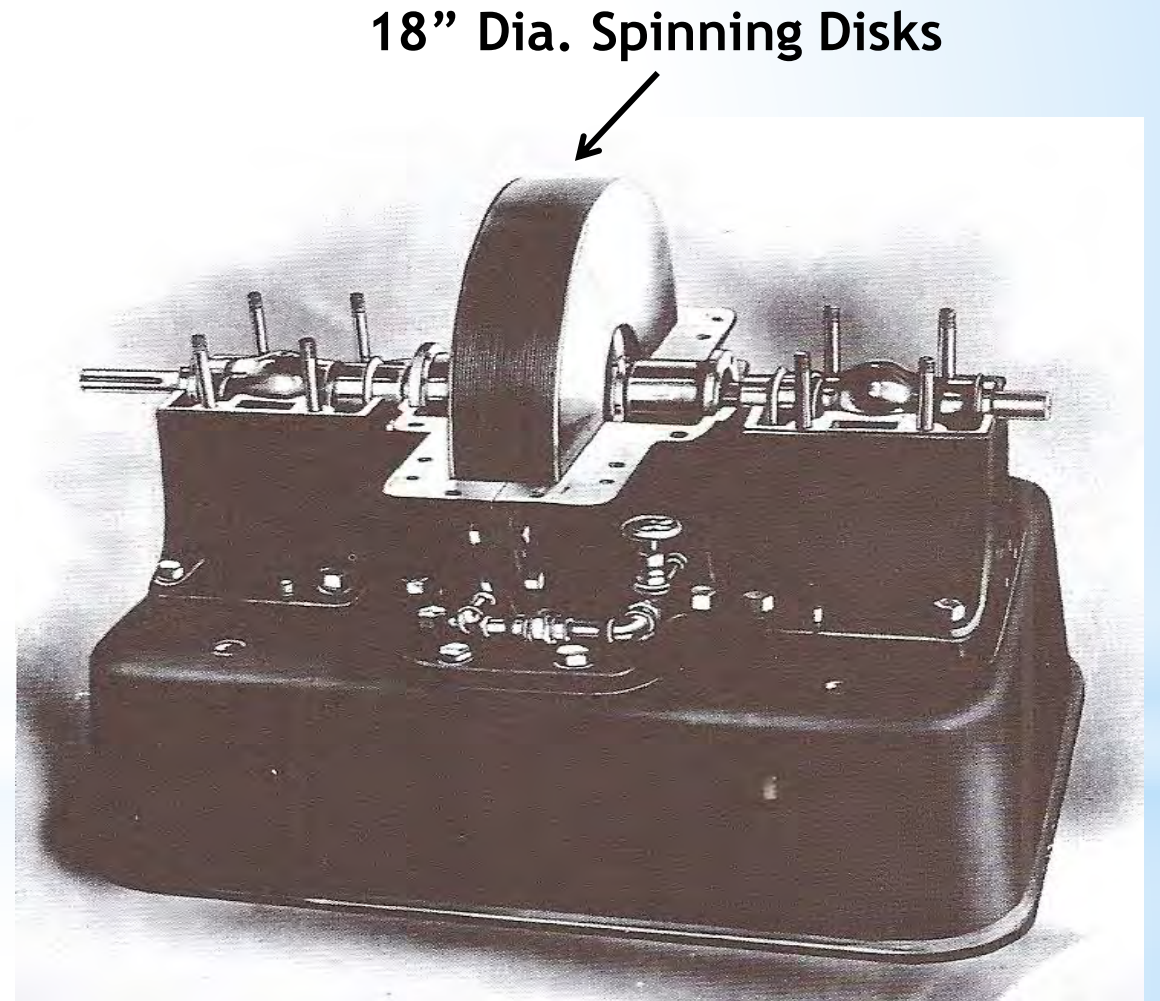
Green Energy

Other Tesla Inventions...



10,000 HP
Steam Turbine

Tesla Turbines



Tesla Turbo Pump

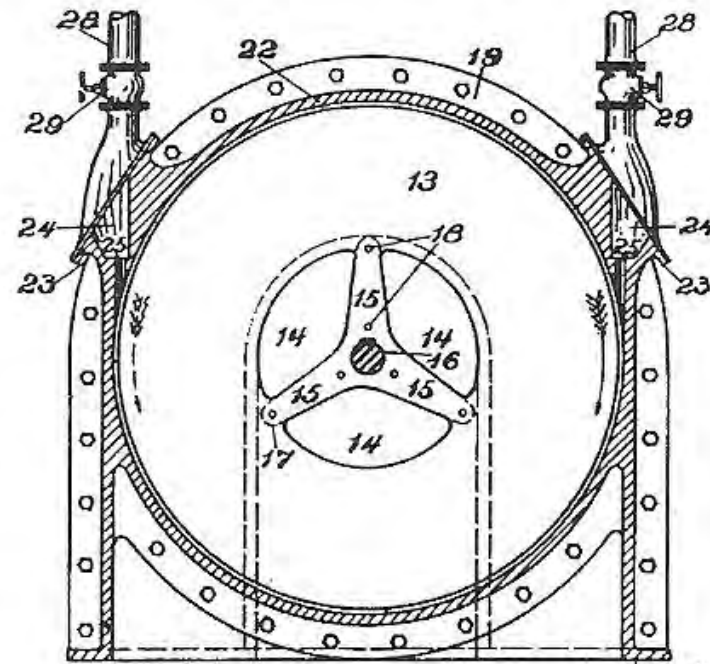
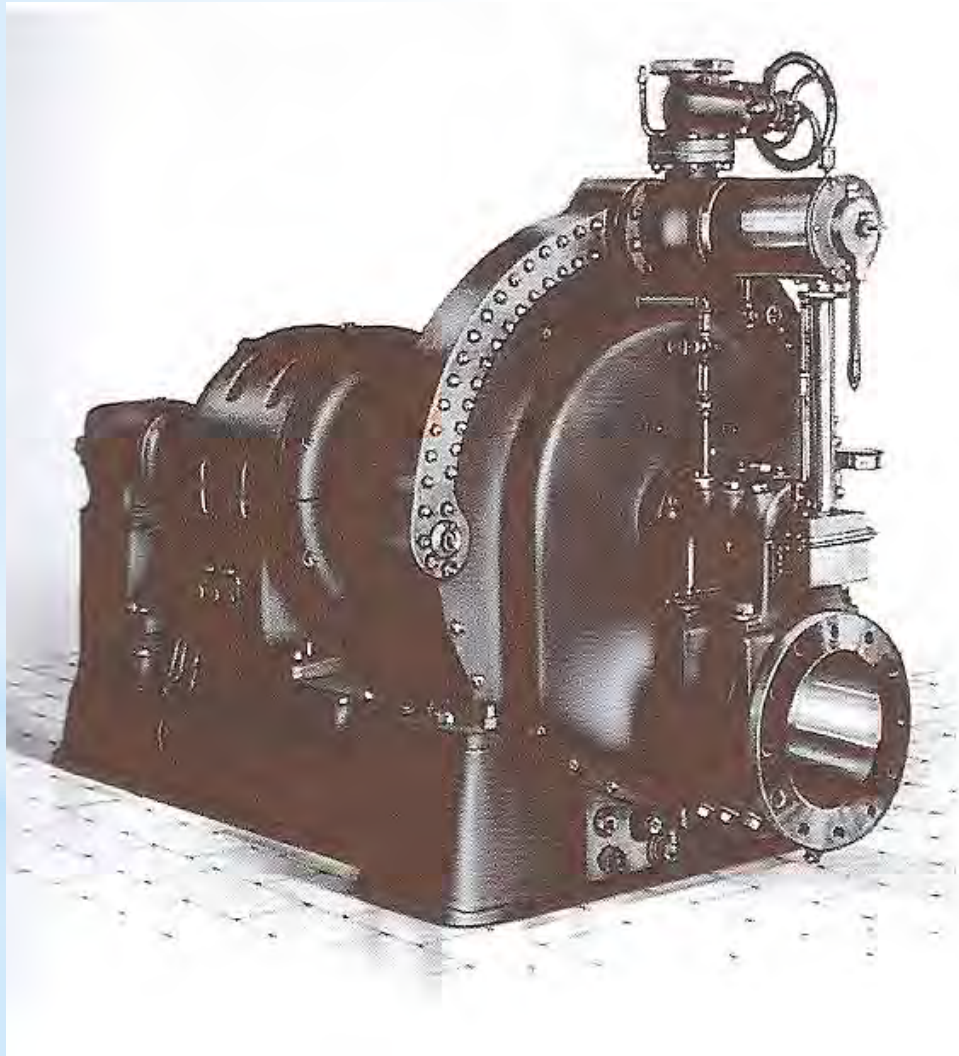


Fig. 1.

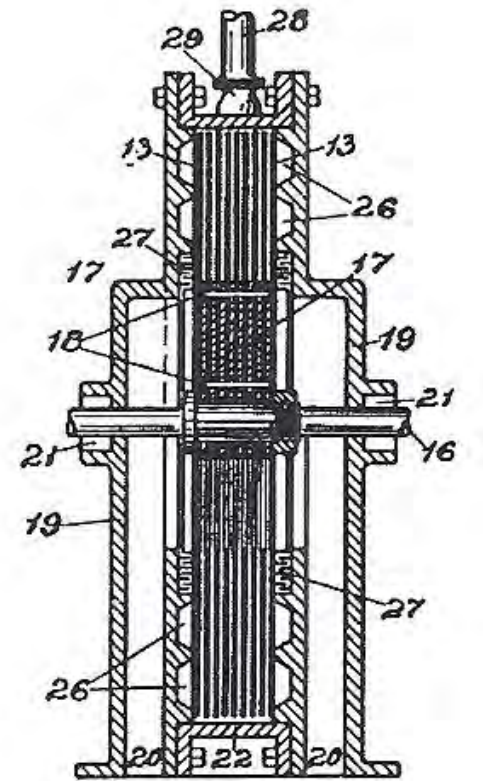
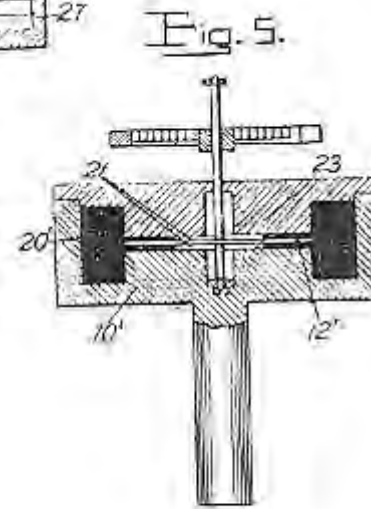
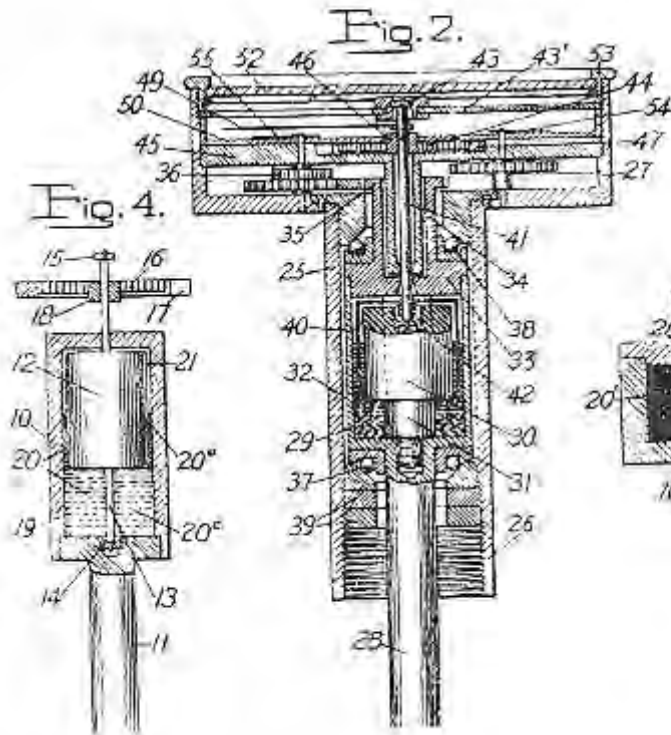
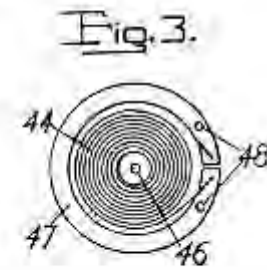
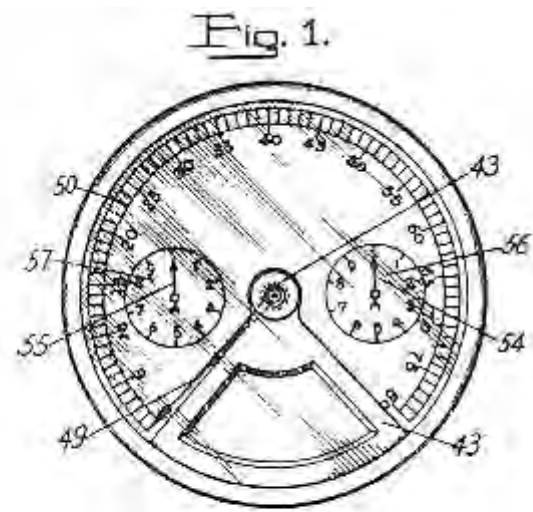


Fig. 2.

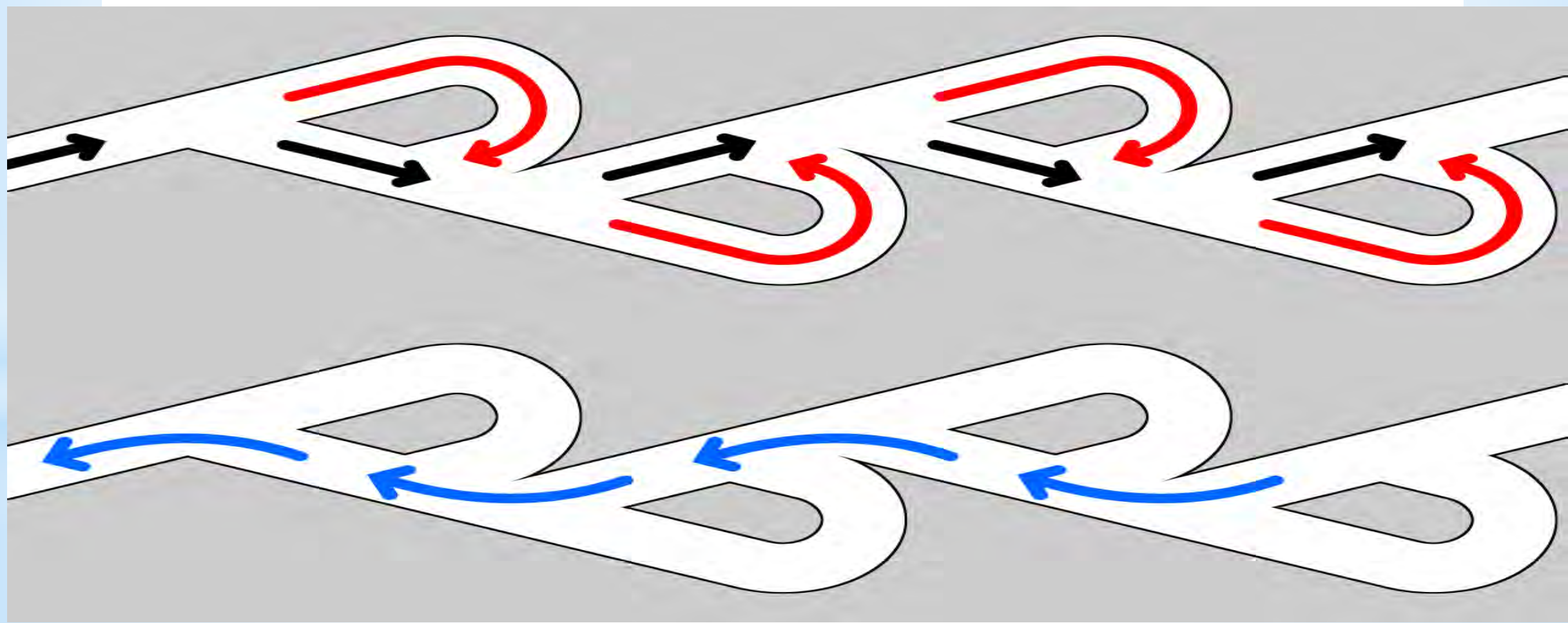
Left: Tesla turbo pump



Tesla's Automobile Speedometer

Tesla Valve

Fig. 1



The Mad Scientist

TESLA AT 78 BARES NEW DEATH-BEAM

Invention Powerful Enough to
Destroy 10,000 Planes 250
Miles Away, He Asserts.

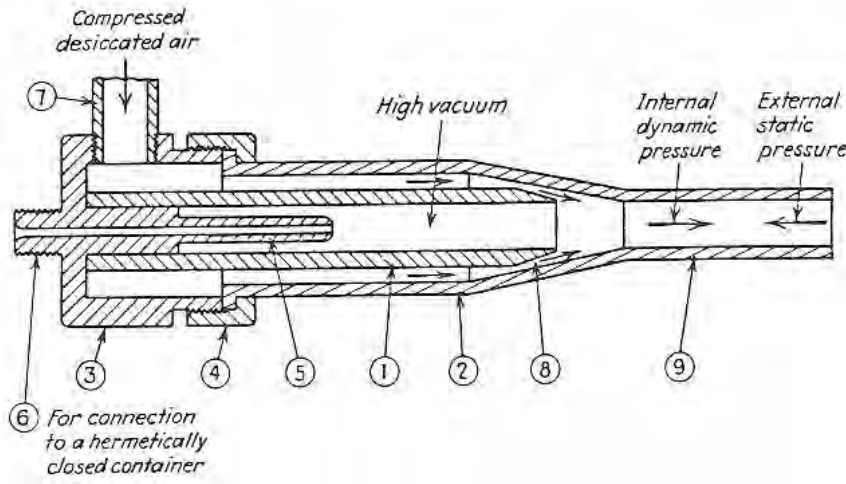
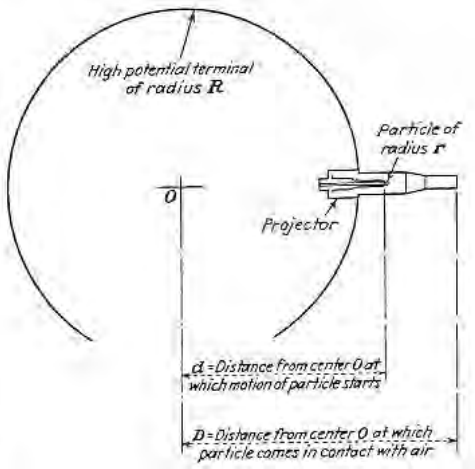
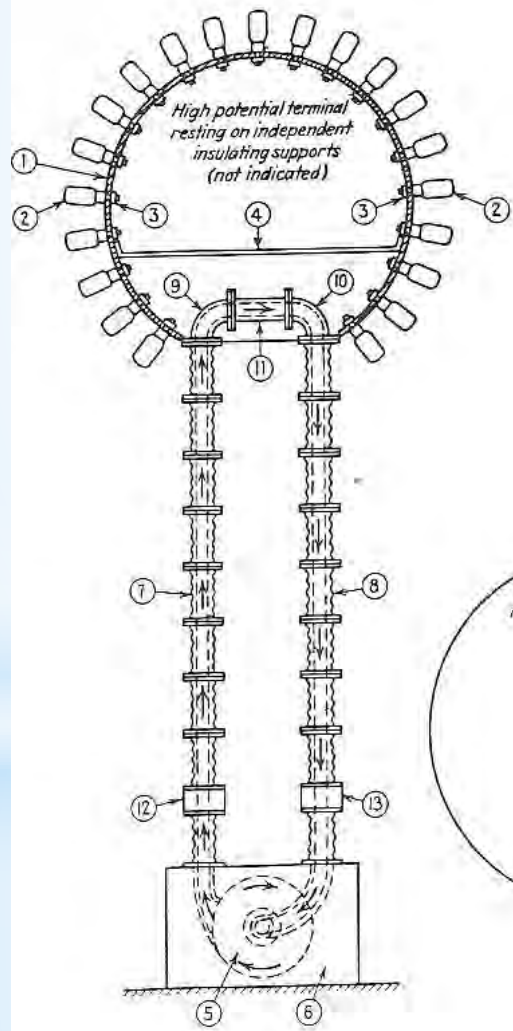
DEFENSIVE WEAPON ONLY

Scientist, in Interview, Tells
of Apparatus That He Says
Will Kill Without Trace.

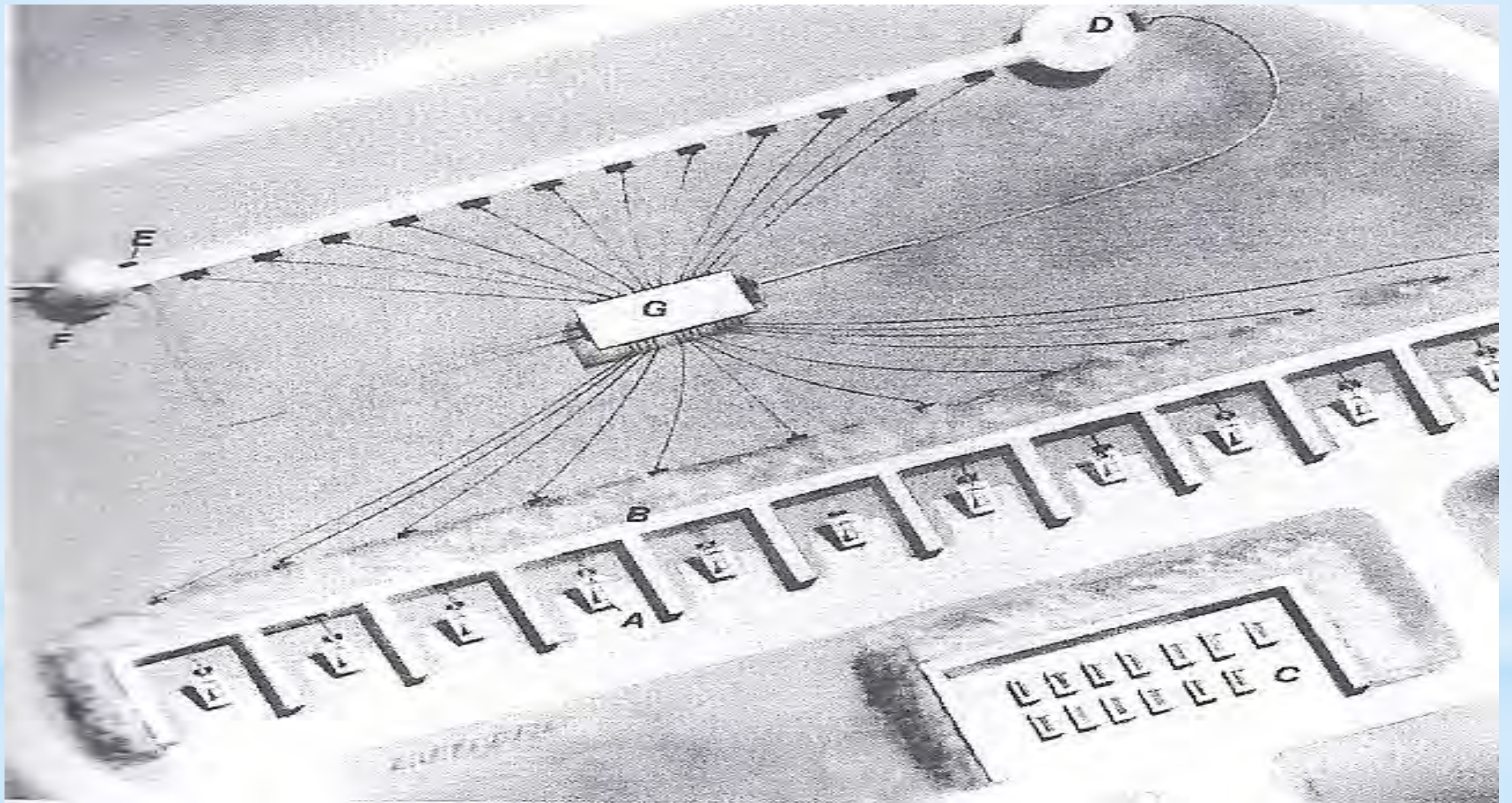
Nikola Tesla, father of modern
methods of generation and distribu-
tion of electrical energy, who was
78 years old yesterday, announced
a new invention, or inventions,

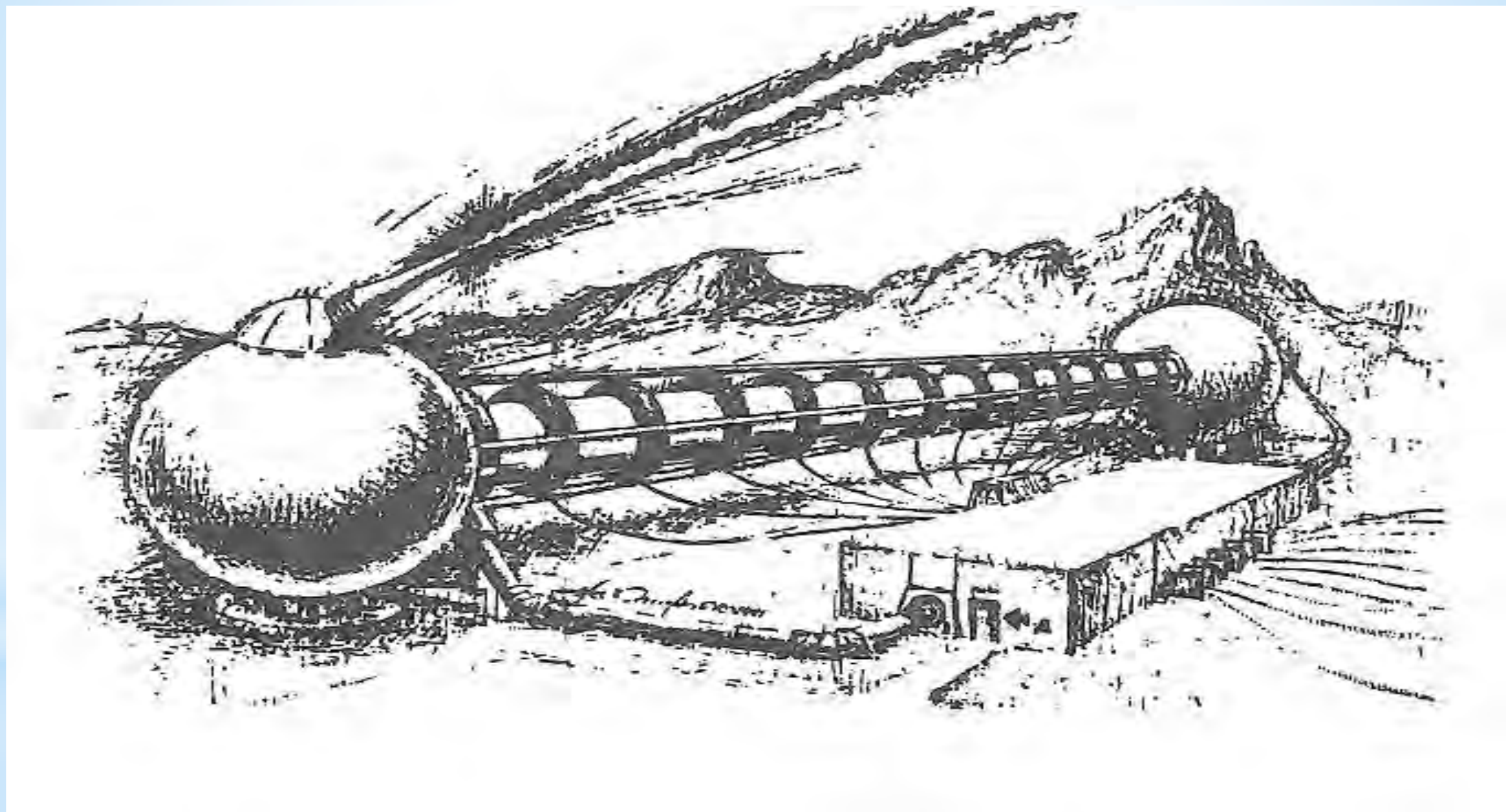


Times Wide World Photo.
NOTED INVENTOR 78.
Nikola Tesla.



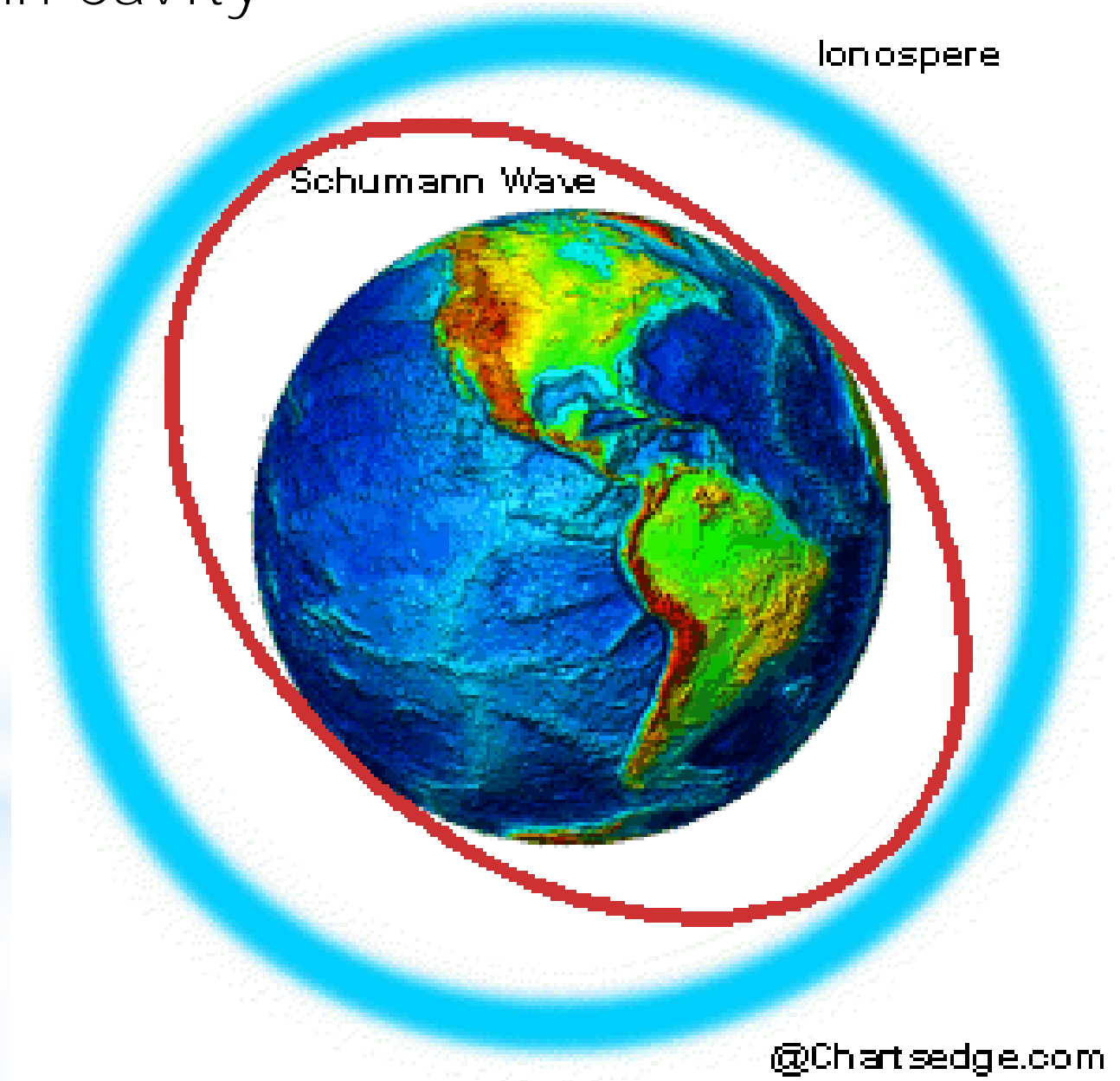
Weapon To End War





The Missing Papers

Tesla-Schumann Cavity



HAARP (High Altitude Auroral Research Project) - Alaska



Viziv Technologies Tower - Milford, Texas



Tesla Lives!

